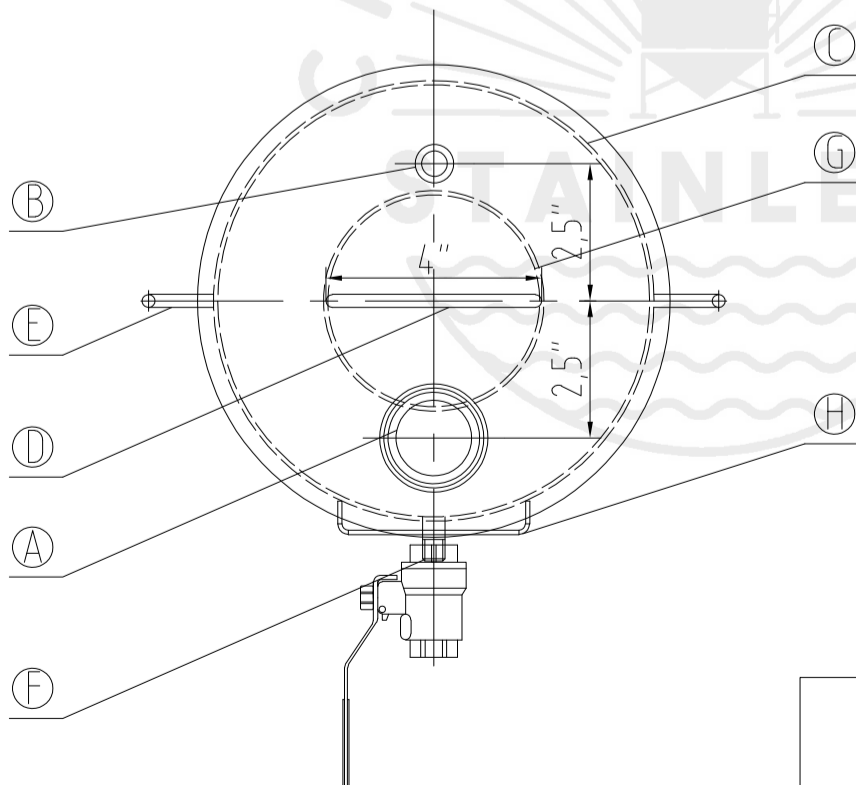
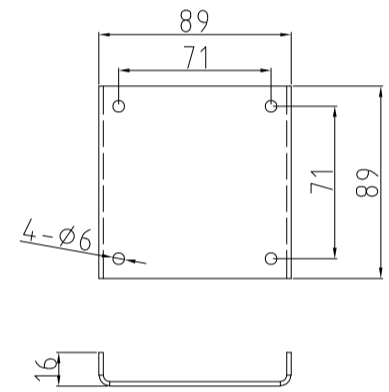
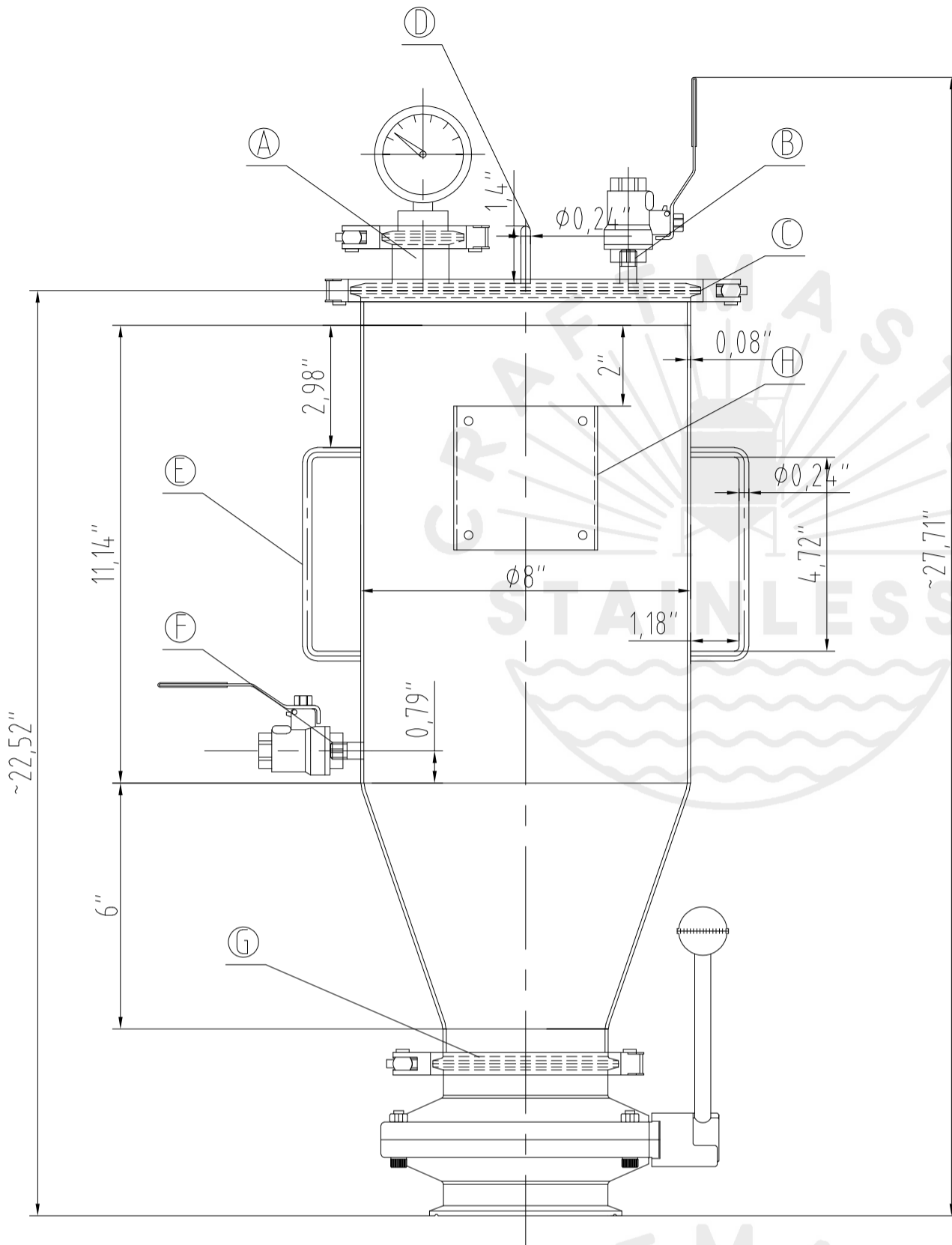


Design data

Vessel category		Normal pressure
Description of parameter		Vessel
Working pressure	psi	22
Design pressure	psi	22
Level testing pressure	psi	45
Medium		Beer
Material		SUS 304
Working temperature	°F	15 to 100
Design temperature	°F	15 to 100
Gross volume	GAL	3
Net volume	GAL	3
Total Tank Weight Empty	lbs	28



CONNECTIONS

MARK	DN	DESCRIPTION	CONNECT SIZE	REMARKS
A	1.5"	PRESSURE GAUGE	1.5"	ISO
B	1/4"	BALL VALVE	1/4"	NPT
C	8"	CAP/CLAMP/GASKET	8"	ISO
D	0.31"	HANDLE	0.31"	ISO
E	0.31"	HANDLE	0.31"	ISO
F	1/4"	BALL VALVE	1/4"	NPT
G	4"	FERRULE	4"	ISO
H	3.5"×3.5"	NAMEPLATE BASE	3.5"×3.5"	



10/15/2022

HOP DOSER