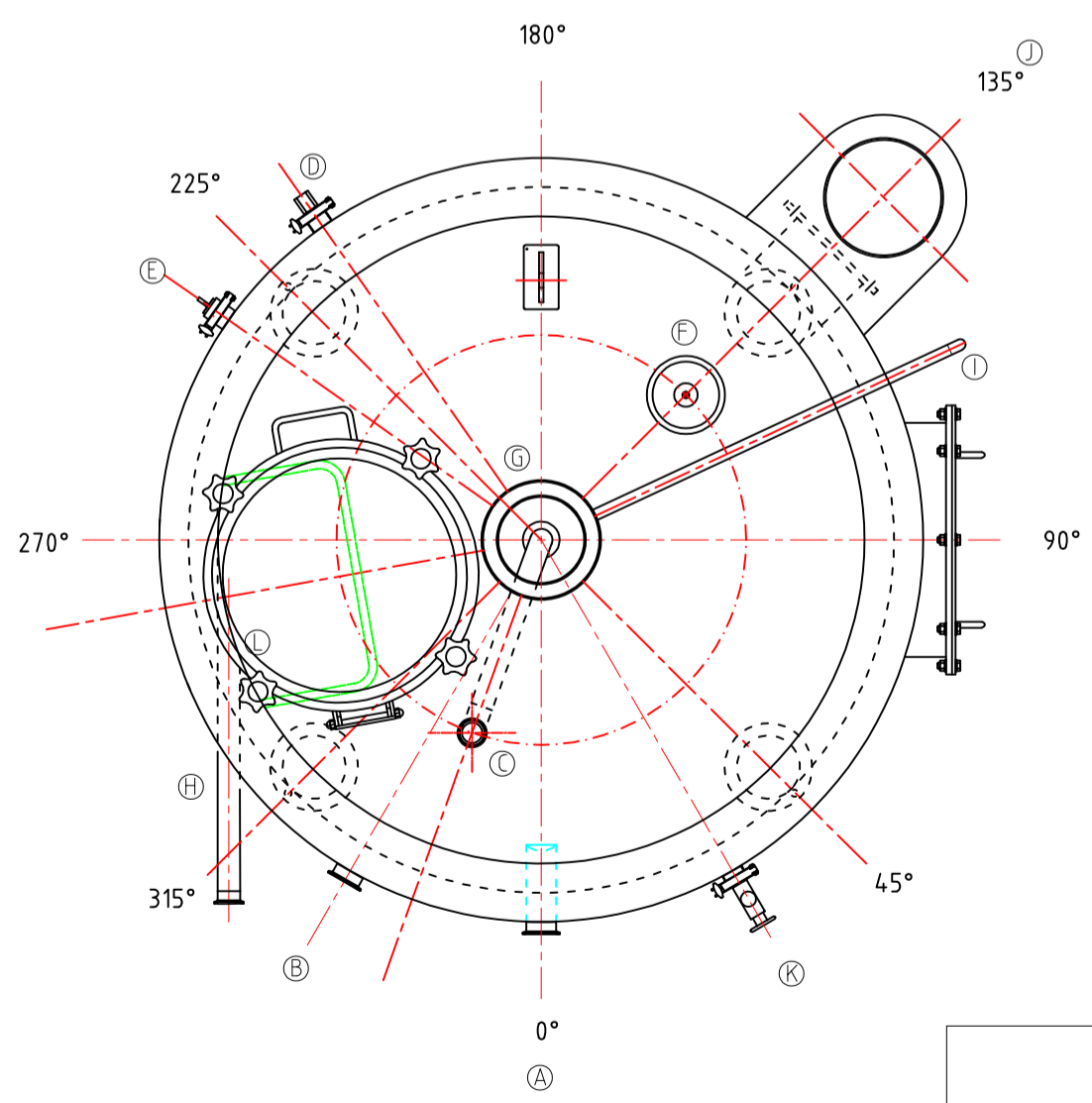
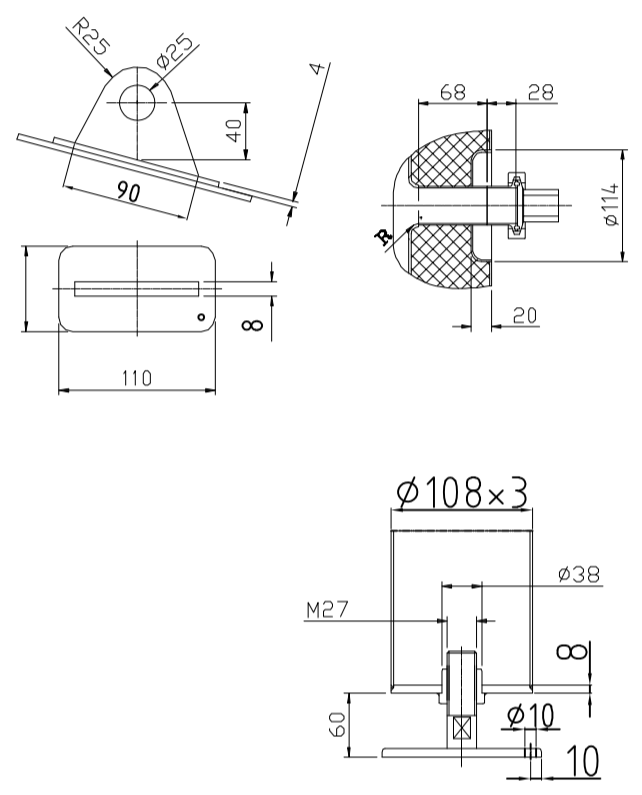


Design data		
Vessel category	Normal pressure	
	Vessel	Jacket
Description of parameter	Vessel	Jacket
Working pressure bar	ATMP	-----
Design pressure bar	ATMP	-----
Level tesing pressure bar	ATMP	-----
Medium	Beer	-----
Material	SUS 304	SUS 304
Working temperature °C	-10 to +100°C	
Design temperature °C	-10 to +100°C	
Gross volume BBL	9.4	
Net volume BBL	7	
Heat exchanger area m²	-----	
Insulation material	PU	
Insulation thickness mm	100	
Dry Weight KGS		



CONNECTIONS				
MARK	DN	DESCRIPTION	CONNECT SIZE	REMARKS
A	2"	YEAST OUT	ø50.8x1.5	ISO
B	2"	YEAST IN/OUT	ø50.8x1.5	ISO
C	1.5"	CIP INLET	ø38.1x1.5	ISO
D	1.5"	TEM-sensor	ø38.1x1.5	ISO
E	1.5"	Anti Dry Burning Sensor	ø38.1x1.5	ISO
F	DN80	Light	DN80-114	ISO
G	8"-6"	Exhaust Cap	ø204-ø152	ISO
H	1.5"	Roundabout	ø38.1x1.5	ISO
I	3/4"	Condensate outlet	ø19.05x1.5	ISO
J	5.25"		ø133x3	ISO
K	1.5"	Level Port	ø38.1x1.5	ISO
L	15.7"	Manway	ø400	ISO

11/14/2019

7BBL KW(F)