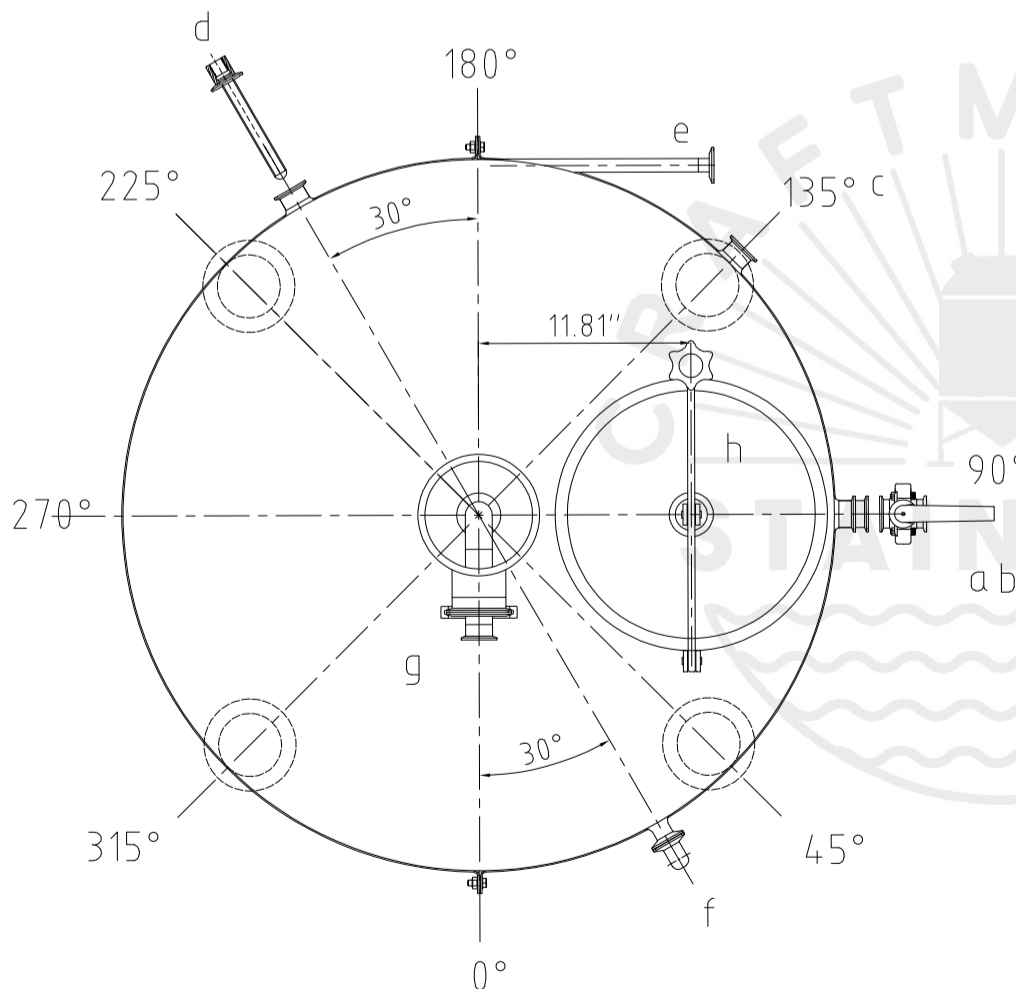


Design data

Vessel category		Normal pressure
Description of parameter		Vessel
Working pressure	psi	ATMP
Design pressure	psi	ATMP
Level testing pressure	psi	ATMP
Medium		Malt
Material		SUS 304
Working temperature	°F	15 to 250
Design temperature	°F	15 to 250
Gross volume	BBL	6.5
Net volume	BBL	5
Heat exchanger area	m2	-----
Glycol Jacket Max Volume	Gallon	-----
Insulation material		-----
Insulation thickness	mm	-----
Total Tank Weight Empty	lbs	230
Total Tank Weight Full	lbs	1525



CONNECTIONS

MARK	DN	DESCRIPTION	CONNECT SIZE	REMARKS
a	1.5"	Yeast outlet	1.5"	ISO
b	1.5"	Outlet	1.5"	ISO
c	1.5"	Outlet	1.5"	ISO
d	1.5"	TEM-SENSOR	1.5"	ISO
e	3/4"	Roundabout	3/4"	ISO
f	1"	LEVEL GAGE	1"	ISO
g	3"-1.5"	CIP inlet	3"-1.5"	ISO
h	14"	Manway	14"	ISO



05/31/2021

5BBL KW(FIRED)