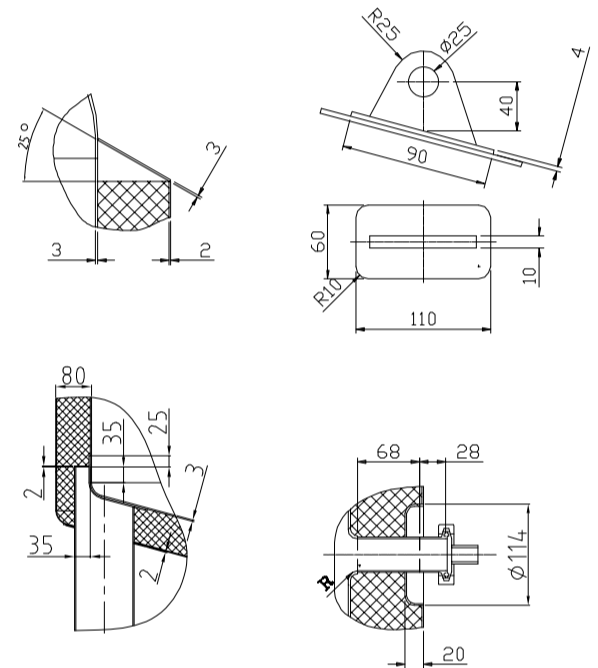
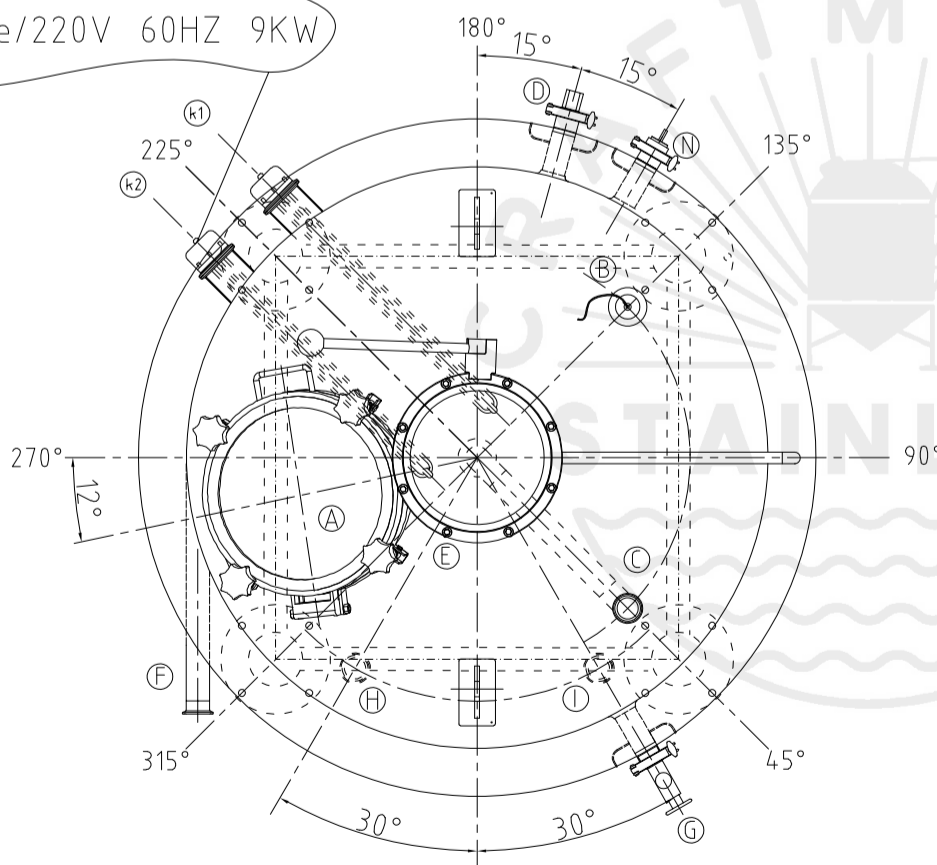


Design data	
Vessel category	Normal pressure
Description of parameter	Vessel
Working pressure	psi ATMP
Design pressure	psi ATMP
Level testing pressure	psi ATMP
Medium	Malt
Material	SUS 304
Working temperature	°F 15 to 250
Design temperature	°F 15 to 250
Gross volume	BBL 5.1
Net volume	BBL 3.5
Heat exchanger area	m2 -----
Glycol Jacket Max Volume	Gallon -----
Insulation material	Chloride Free Polyurethane
Insulation thickness	mm 80
Total Tank Weight Empty	lbs 490
Total Tank Weight Full	lbs 1390



3phase/220V 60HZ 9KW



CONNECTIONS				
MARK	DN	DESCRIPTION	CONNECT SIZE	REMARKS
A	Ø14"	Manway	Ø350	ISO
B	2"	Light	Ø50.8x15	ISO
C	1.5"	CIP APM FERRULE	Ø38.1x1.5	ISO
D	1.5"	TEMPERATURE CONN	Ø38.1x1.5	NPT
E	8"	EXHAUST CAP	Ø203.2x3	ISO
F	1.5"	Roundabout	Ø38.1x1.5	ISO
G	1.5"	LEVEL GAGE	Ø38.1x1.5	ISO
H	1.5"	INLET	Ø38.1x1.5	ISO
I	1.5"	OUTLET	Ø38.1x1.5	ISO
J	1.5"	OUTLET	Ø38.1x1.5	ISO
K	2.5"	Heating Rod Port	Ø63.5x1.65	ISO
N	1.5"	Anti Dry Burning Sensor	Ø38.1x1.5	ISO



02/28/2022

3.5BBL KW(EH)