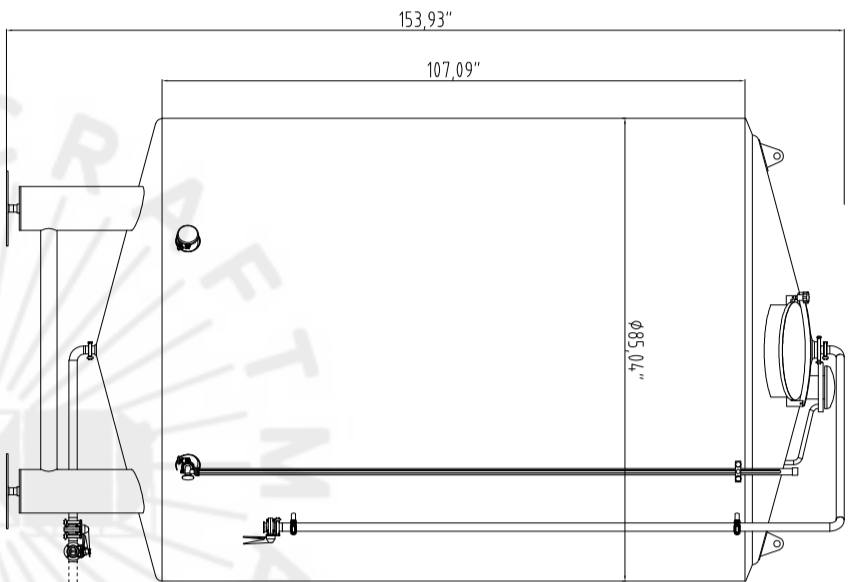
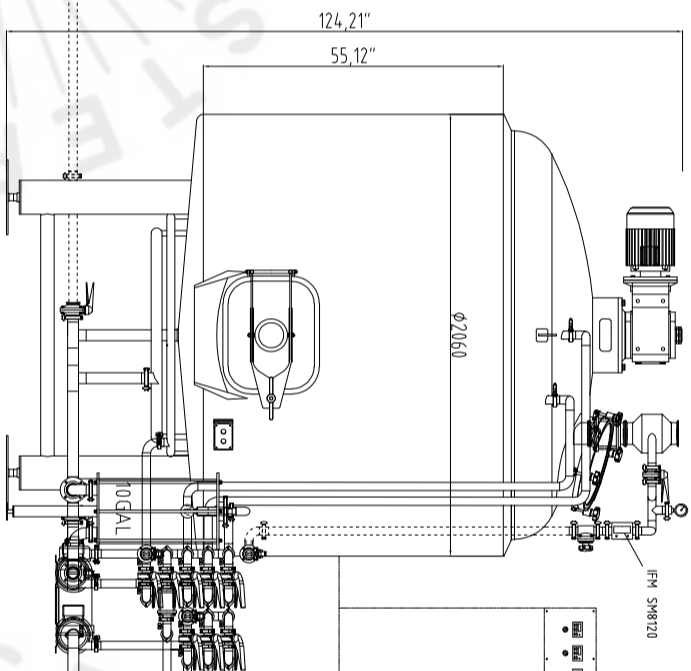


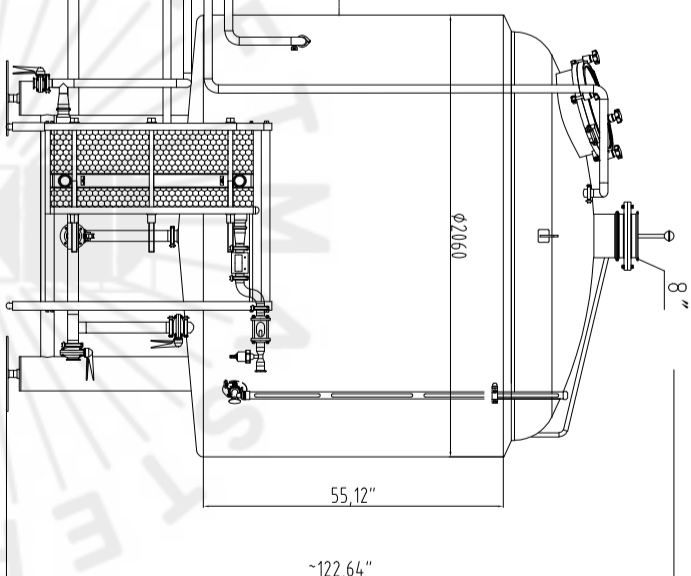
60BBL HL T(S)



30BBL ML T



30BBL KW(S)



STAINLESS

STAINLESS

