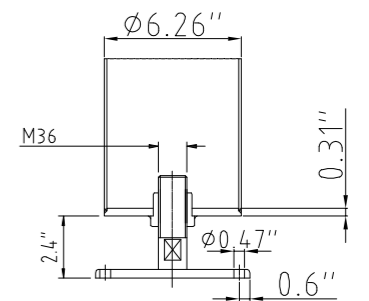
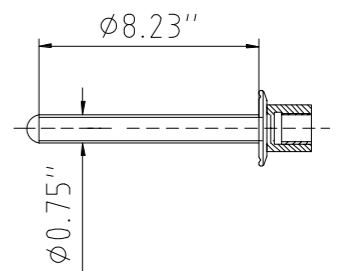


Design data		
Vessel category	Normal pressure	
Description of parameter	Vessel	Jacket
Working pressure psi	22	45
Design pressure psi	22	45
Level testing pressure psi	45	60
Medium	Beer	Glycol
Material	SUS 304	SUS 304
Working temperature °F	15 to 100	
Design temperature °F	15 to 100	
Gross volume BBL	36.5	
Net volume BBL	30	
Heat exchanger area m <sup>2</sup>	4.7	
Glycol Jacket Max Volume Gallon	6.5	
Insulation material	Chloride Free Polyurethane	
Insulation thickness mm	80	
Total Tank Weight Empty lbs	3660	
Total Tank Weight Full lbs	19180	



CONNECTIONS				
MARK	DN	DESCRIPTION	CONNECT SIZE	REMARKS
A	2"	PVRV FERRULE	2"	ISO
B	3"	PORT	3"	ISO
C	15"	CIP APM FERRULE	15"	ISO
D	15"	TEMPERATURE CONN	15"	ISO
E	15"	CO2 INLET	15"	ISO
F	15"	TEM-GAGE	15"	ISO
G	15"	SAMPLE FERRULE	15"	ISO
H	15"	DIAM ARM COUPLING	15"	ISO
I	3/4"	DIAM ARM COUPLING	3/4"	ISO
J	2"	OUTLET	2"	ISO
k	DIN63-15"	DRAIN FERRULE	DIN63-15"	ISO
l	3/4"	COOLING OUTLET	3/4"	NPT
m	3/4"	COOLING INLET	3/4"	NPT
N	4"	HOP PORT	4"	ISO
R	21"x17"	MANWAY	21"x17"	ISO



06/19/2023

30BBL LAGERING TANK