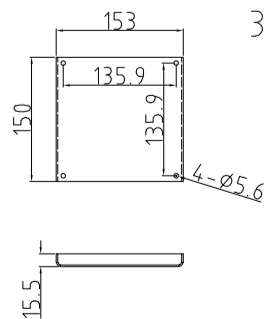
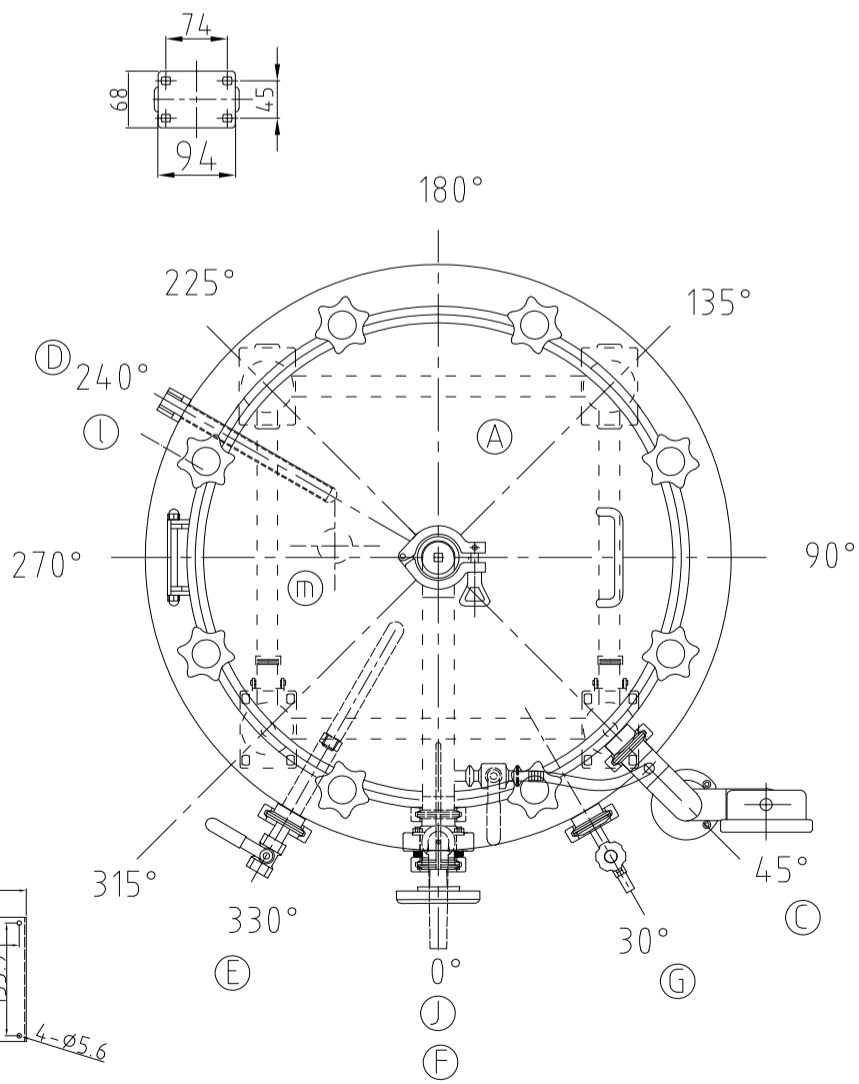
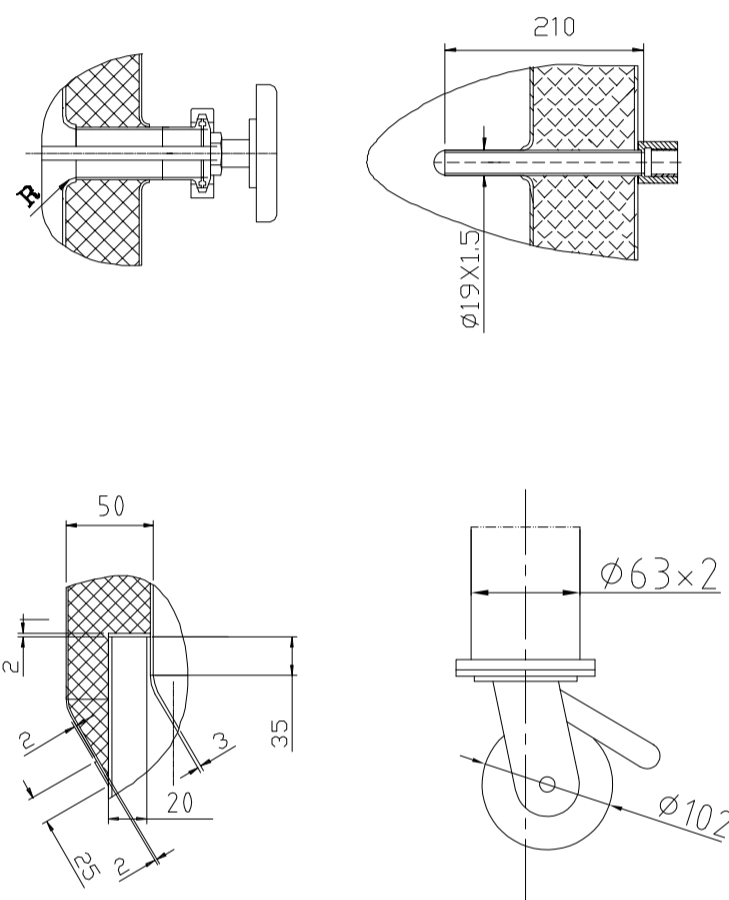
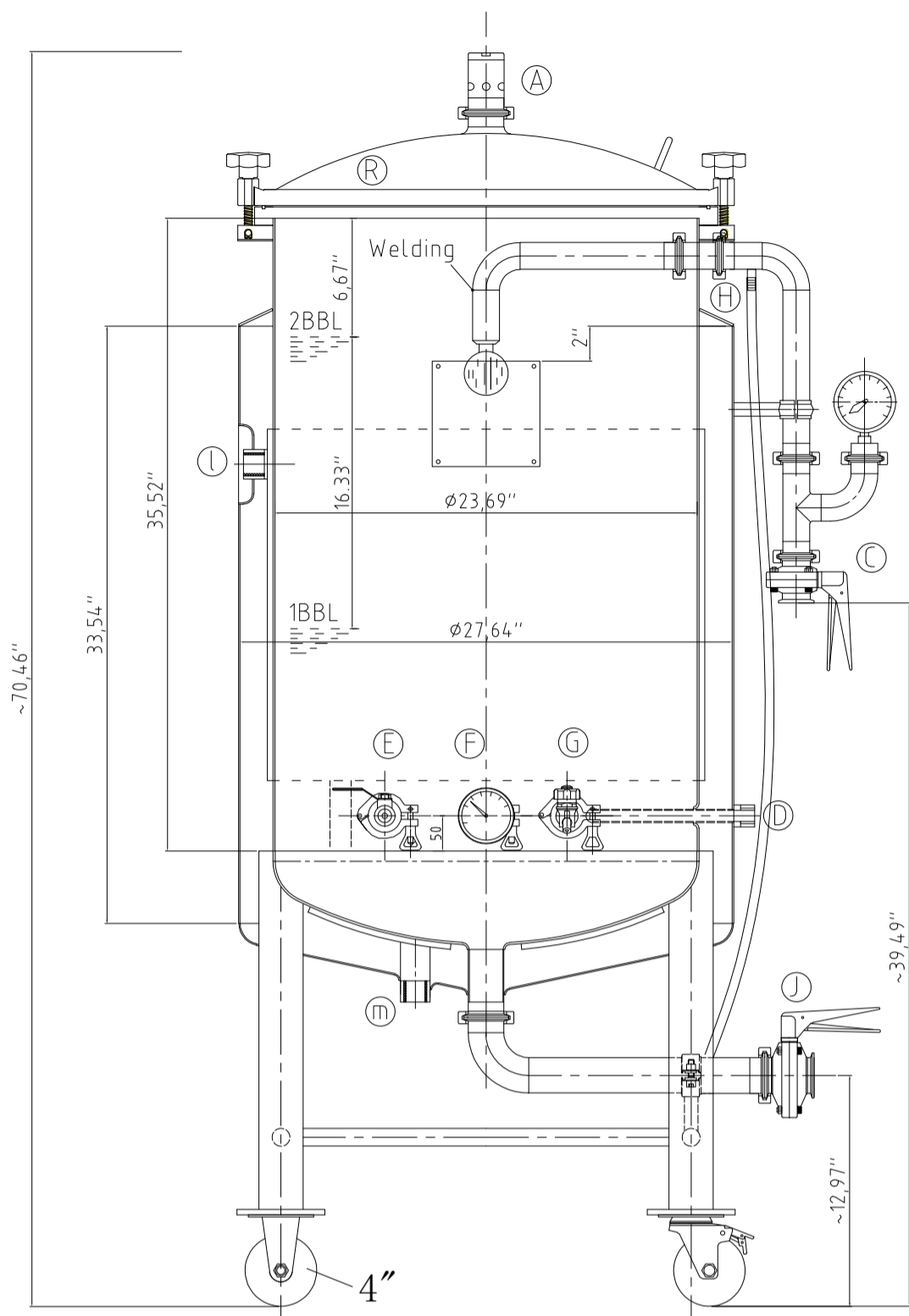


### Design data

Vessel category		Normal pressure	
Description of parameter		Vessel	Jacket
Working pressure	psi	22	45
Design pressure	psi	22	45
Level testing pressure	psi	45	60
Medium		Beer	Glycol
Material		SUS 304	SUS 304
Working temperature	°F	15 to 100	
Design temperature	°F	15 to 100	
Gross volume	BBL	2.4	
Net volume	BBL	2	
Heat exchanger area	m <sup>2</sup>	1.7	
Glycol Jacket Max Volume	Gallon	2.4	
Insulation material		Chloride Free Polyurethane	
Insulation thickness	mm	50	
Total Tank Weight Empty	lbs	300	
Total Tank Weight Full	lbs	817	



### CONNECTIONS

MARK	DN	DESCRIPTION	CONNECT SIZE	REMARKS
A	2"	PVRV FERRULE	2"	ISO
C	1.5"	CIP APM FERRULE	1.5"	ISO
D	1/2"	TEMPERATURE CONN	1/2"	NPT
E	1.5"	CO2 INLET	1.5"	ISO
F	1.5"	TEM-GAGE	1.5"	ISO
G	1.5"	SAMPLE FERRULE	1.5"	ISO
H	0.5"	DIAIN ARM COUPLING	0.5"	ISO
I	0.75"	DIAIN ARM COUPLING	0.75"	ISO
J	2"	OUTLET	2"	ISO
R	24"	MANWAY	24"	ISO
L	3/4"	COOLING OUTLET	3/4"	NPT
M	3/4"	COOLING INLET	3/4"	NPT



04/29/2021

2BBL BRITE TANK