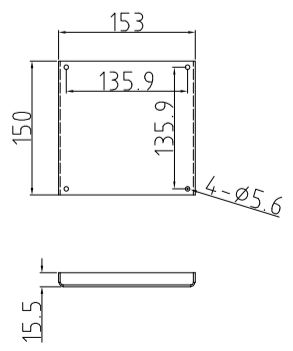
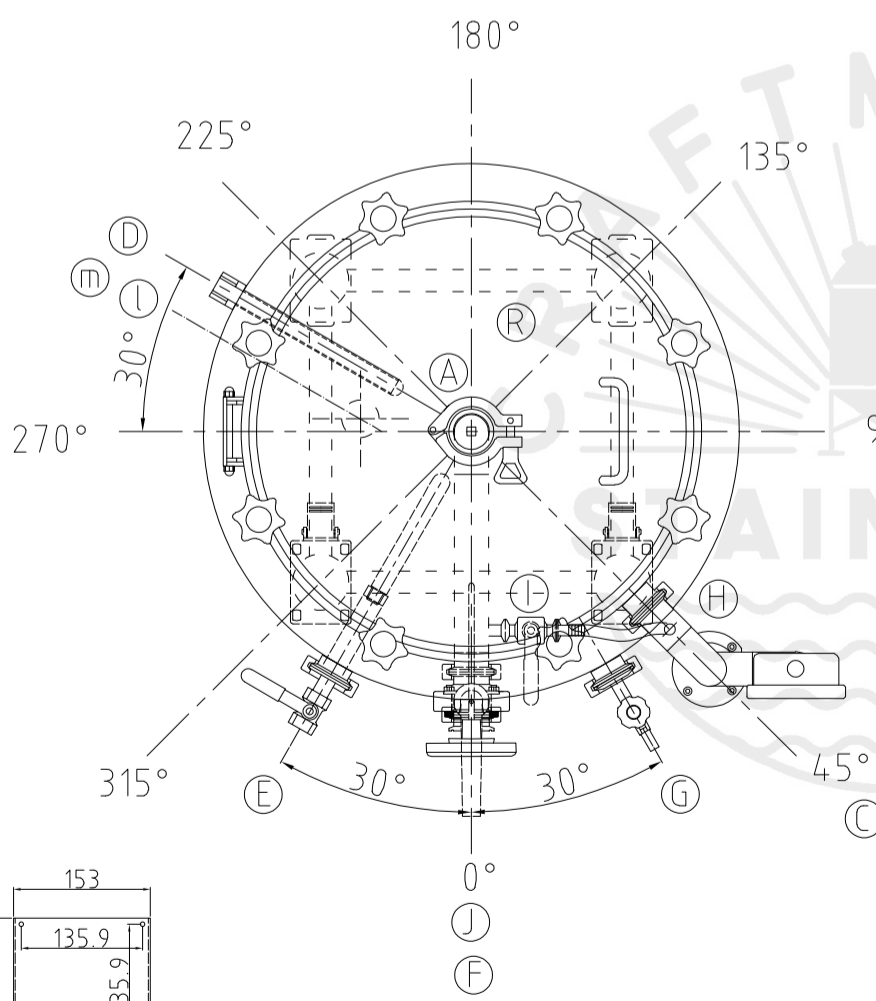
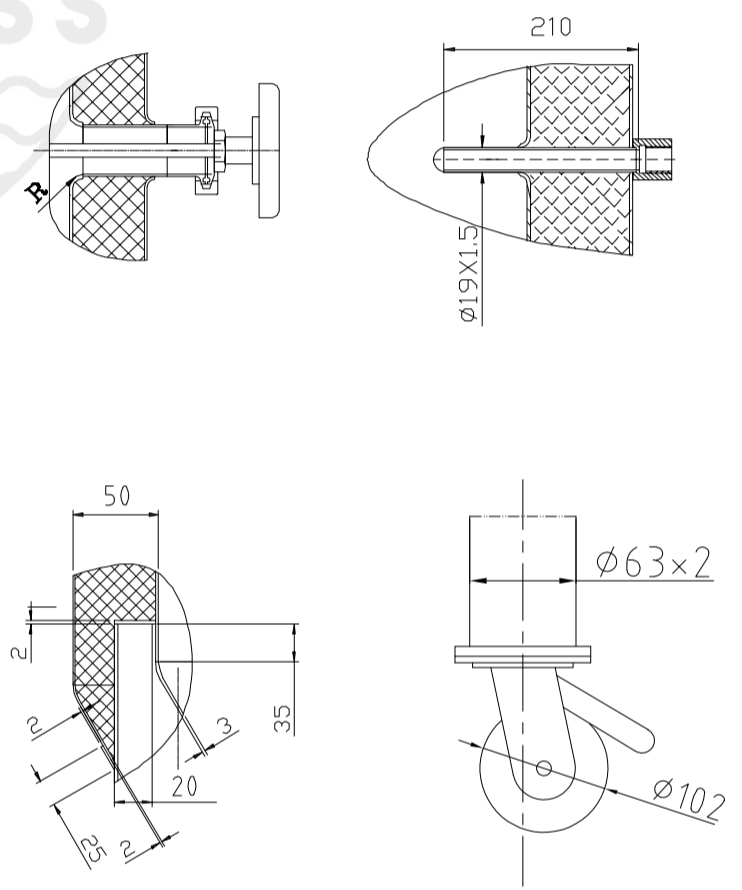
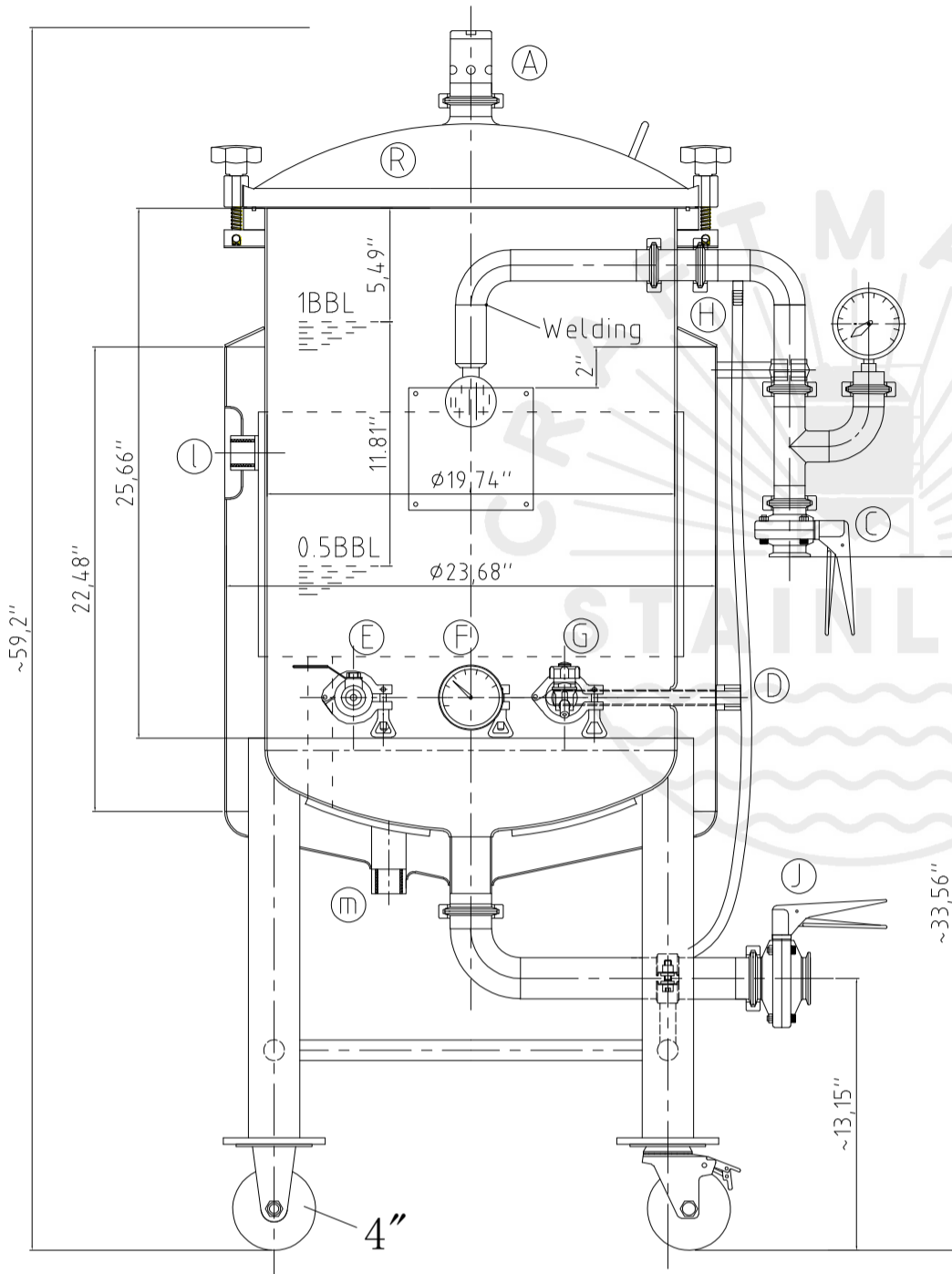


Design data

Description of parameter	Normal pressure	
	Vessel	Jacket
Working pressure	psi 22	psi 45
Design pressure	psi 22	psi 45
Level testing pressure	psi 45	psi 60
Medium	Beer	Glycol
Material	SUS 304	SUS 304
Working temperature	°F 15 to 100	
Design temperature	°F 15 to 100	
Gross volume	BBL 1.23	
Net volume	BBL 1	
Heat exchanger area	m2 0.55	
Glycol Jacket Max Volume	Gallon 0.77	
Insulation material	Chloride Free Polyurethane	
Insulation thickness	mm 50	
Total Tank Weight Empty	lbs 225	
Total Tank Weight Full	lbs 483	



CONNECTIONS

MARK	DN	DESCRIPTION	CONNECT SIZE	REMARKS
A	2"	PVRV FERRULE	2"	ISO
C	1.5"	CIP APM FERRULE	1.5"	ISO
D	1/2"	TEMPERATURE CONN	1/2"	NPT
E	1.5"	CO2 INLET	1.5"	ISO
F	1.5"	TEM-GAGE	1.5"	ISO
G	1.5"	SAMPLE FERRULE	1.5"	ISO
H	0.5"	DIAM ARM COUPLING	0.5"	ISO
I	0.75"	DIAM ARM COUPLING	0.75"	ISO
J	2"	OUTLET	2"	ISO
R	19.6"	MANWAY	19.6"	ISO
I	3/4"	COOLING OUTLET	3/4"	NPT
m	3/4"	COOLING INLET	3/4"	NPT



04/29/2021

1BBL BRITE TANK