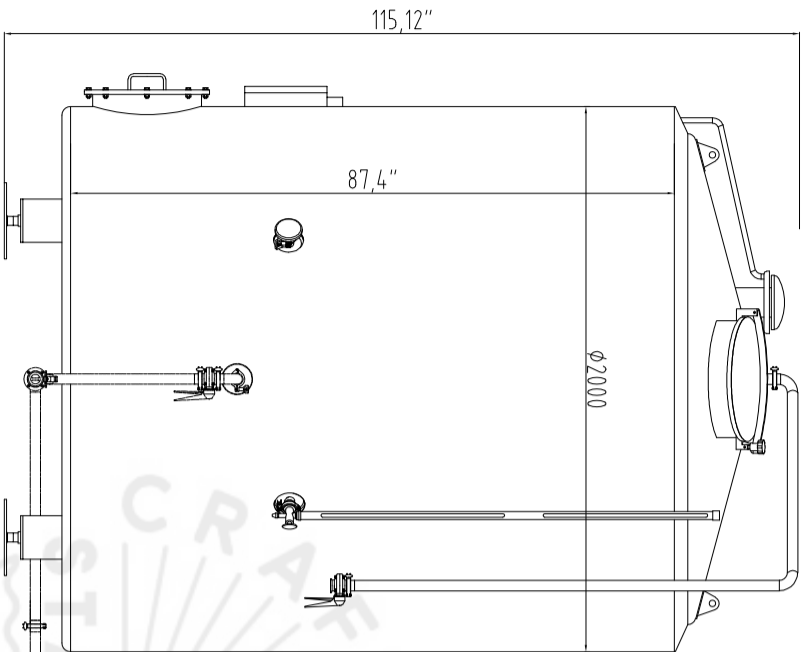
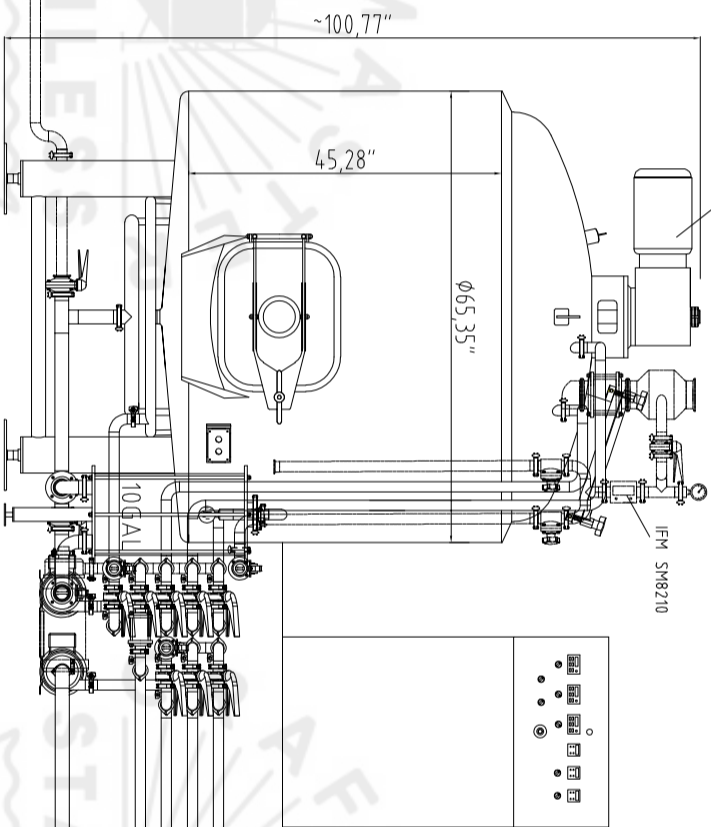


30BBL HLT(F)

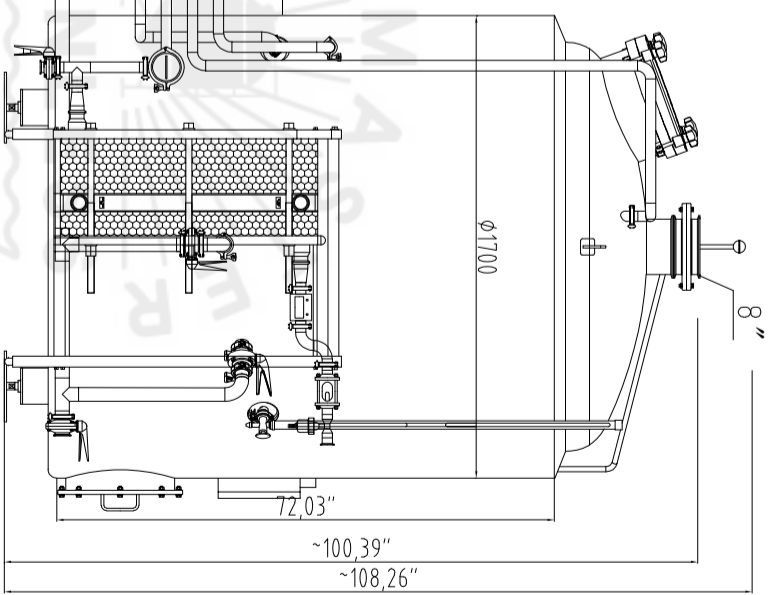


SEW 3phase/220V 60HZ 15KW

15BBL MLT



15BBL KW(F)



~307.37"

~191.71"

